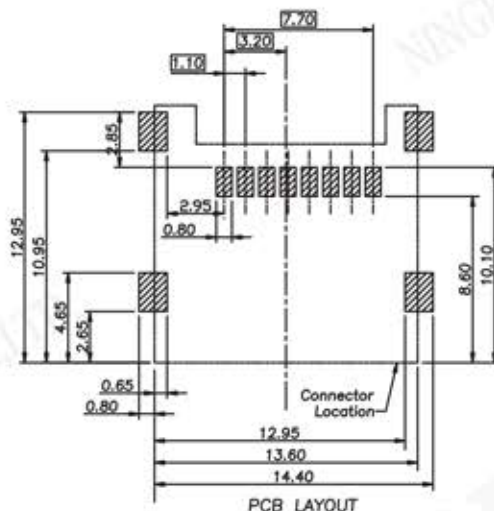
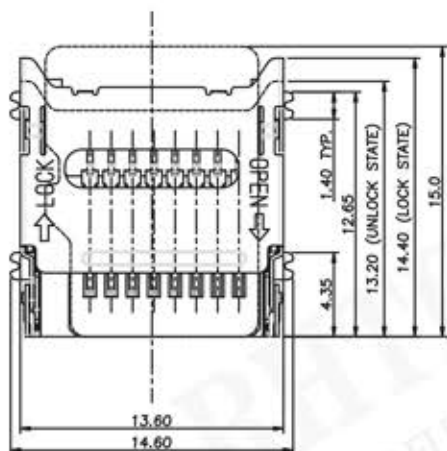
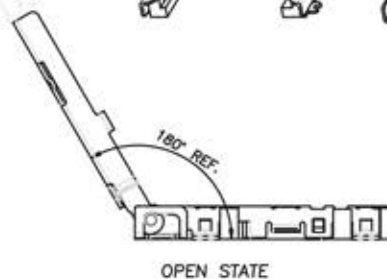
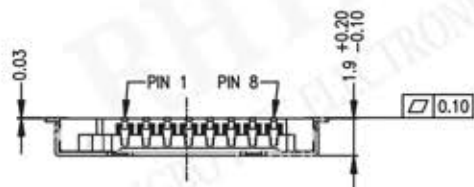
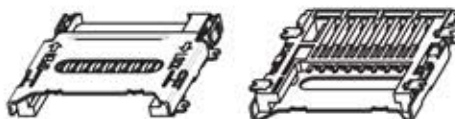


PIN NO.	NAME	TYPE ¹	DESCRIPTION
1	DAT2	I/O/PP	Data Line [b12]
2	CD/DAT3	I/O/PP	Card Detect Data Line [b13]
3	CMD	PP	Command Response
4	VDD	S	Supply Voltage
5	CLK	I	Clock
6	VSS	S	Supply Voltage Ground
7	DAT0	I/O/PP	Data Line [b10]
8	DAT ¹	I/O/PP	Data Line [b11]



SIM card Connector Series

RE-C-TF-002 T-FLASH Mirco SD Connector Series

Material

Housing: LCP UL94V-0

Card button: LCP UL94V-0

Reed tab: Tin-bronze QSn6.5-0.1 GB2066-89

PACKAGE: Tape and Reel Package

Specification

Pitch: 2.54mm

Environmental temperature: -45°C~+85°C

Voltage rating: 100V AC

Current rating: 0.5A Max

Withstand voltage: 200V AC/1Minute

Insulation resistance: $\geq 1000\text{M}\Omega$

Contact resistance: $\leq 30\text{m}\Omega$

Life: > 5000 Cycles

ORDER INFORMATION

Product NO.: RE-C - T F - 002

Pos. NO. _____

T-FLASH Mirco SD Connector Type